

Model Z70 - Safety and Relief valve

DESCRIPTION

Type	Safety and Relief valve
Connections	Threaded BSP/NPT
Rating	PN-30
Material	Bronze RG 5 / RG 10 EN 1982 CC491K
Temperature range	-10 to +350°C

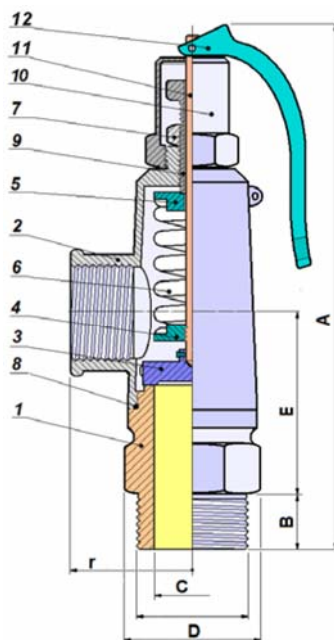
REQUIREMENTS

Calculation	EN-4126-1/7
Design	EN-12516-1, EN-4126-1/7 DIN 259 and ANSI B 2.1
Materials	EN 1503-1-2-3-4
Inspection	EN-4126-1/7

CONSTRUCTION AND

MATERIALS

Item	Description	Material
1	Valve Base	Bronze RG5
2	Hood	Brass
3	Shutter	AISI-316L
4	Male Lower Spring Carrier	Brass
5	Female Upper Spring Carrier	Brass
6	Spring	Carbon steel / AISI 302
7	Attachment Nut	Brass
8	Watertight Seal	Rubber
9	Adjustment Screw	Brass
10	Cap	Brass
11	Lift axle	Brass
12	Lever	Brass



TECHNICAL INFORMATION

Applications	Steam, Gases, Vapors & Liquids
Min. Set pressure	0,2 Barg
Set pressure tolerance	± 3%
Overpressure	10%
Blowdown	Gases 10%, Liquids 20%
Discharge coefficients	Gases K=0,80
	Liquids K=0,60

DIMENSIONS

	Inlet	Outlet	Orifice	A	B	C	E	r	D	Weight
			Ø	(mm)	(mm)	(mm)	(mm)	(mm)	(mm)	(mm)
	3/8"	3/8"	11	133,3	11	10	40	22	24	0,330
	1/2"	1/2"	14	156,7	12	14	48	26,5	26	0,530
	3/4"	3/4"	18	172,0	14	18	56,5	30,5	32	0,740
	1"	1"	22	210,5	16	22	73	37,5	40	1,360
	1 1/4"	1 1/4"	30	213,0	17	30	74	42,5	47	1,640
	1 1/2"	1 1/2"	35	223,0	18	35	77,5	47	57	2,000
	2"	2"	45	252,6	22	45	88,5	54,5	67	3,180
	2 1/2"	2 1/2"	65	324,5	24	75	118,5	78,5	85	6,070
	3"	3"	75	361,5	28	87,5	136	86	98	7,970



Disclaimer

The information, specifications and technical data contained in this catalogue are subject to change without notice by the manufacturer. The user should verify all technical data and specifications prior to use. EFSVALVES does not warrant that the material and information contained herein is current or correct and assumes no responsibility for the use or misuse of any such material and information by the user.