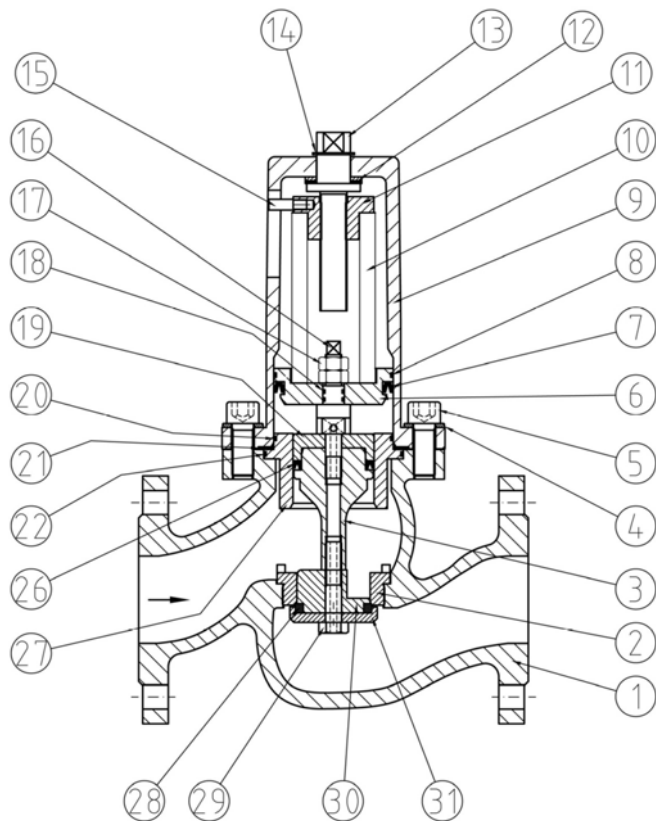


Pressure Reducing Valve - Model VD

BASIC INFORMATION

Type	Self-operated pressure reducing valve with piston	Kv	3.5, 5, 13.5, 22, 32, 57, 82, 115 [m ³ /h]
Operation	Valve tends to maintain constant outlet pressure	Cv	4, 5.8, 10.4, 15.6, 25, 37, 66, 94.8 [gpm]
Model	VD	Temperature	-10 to 80° [°C] (200° On req.)
Connections	Flanged (DIN - ANSI) or Threaded (BSP - NPT)		14 to 176 [°F]
Ends	RF – RF, NPT, BSP	Inlet max. pressure	40 [barg]
Ratings	PN16, PN40 (150#, 300#)	Outlet pressure	1 - 16 [barg]
Sizes	DN15, DN20, DN25, DN32, DN40, DN50, DN65, DN80, DN100 (1/2", 3/4", 1", 1 1/2", 1 3/4", 2", 2 1/2", 3", 4")	Suitable for	Liquid, compressed air and non-hazardous gas

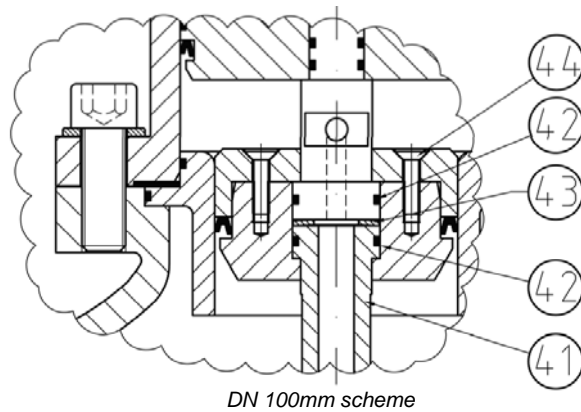
PARTS



MATERIALS

REF.	PART	MATERIAL	
		ANSI / ASTM	DIN / EN
1	Body	Ductile iron (A536) Bronze (RG10) C. S. (A216WCC) S.S. (AISI 316)	Ductile iron (1693) Bronze (1705) C. S. (1.0619) S. S. (1.4408)
2	Seat	S.S. (AISI 304L)	S. S.(1.4307)
3	Stem	S.S. (AISI 304L)	S. S.(1.4307)
4	Washer	S.S. (AISI 304)	S.S. (1.1191)
5	Bolts	S.S. (AISI 304)	S.S. (1.1191)
6	Upper bushing	S.S. (AISI 304L)	S. S.(1.4307)
7	Gasket	NBR (D-1418)	NBR (1629)
8	O-ring	NBR (D-1418) FKM (200°C)	NBR (1629) FKM (200°C)
9	Spring cover	S. S. (A351 CF8M) S.S. (AISI 316)	S.S. (1.4408) S.S. (1.4401)
10	Spring	C.S. (AISI 1045)	C.S. (1.1191)
11	Regulation nut	C.S. (AISI 304)	C.S. (1.1191)
12	Ball bearing	Steel (A732)	Steel (1.3505)
13	Regulation stem	S.S. (AISI 304L)	S. S.(1.4307)
14	Safety reg. stem washer	S.S. (AISI 304)	S.S. (1.1191)
15	Block pin	S.S. (AISI 304)	S.S. (1.1191)
16	Bushing stem	S.S. (AISI 316L)	S.S. (1.4404)
17	Nut(s)	S.S. (AISI 304)	S.S. (1.1191)
18	O-ring	NBR (D-1418) FKM (200°C)	NBR (1629) FKM (200°C)
19	Lower bushing	S.S. (AISI 304L)	S. S.(1.4307)
20	O-ring	NBR (D-1418) FKM (200°C)	NBR (1629) FKM (200°C)
21	Flat gasket	PTFE (D-792)	PTFE (53749)
22	O-ring	NBR (D-1418) FKM (200°C)	NBR (1629) FKM (200°C)
26	Balanced gasket	NBR (D-1418) Graphite PTFE S.S. (AISI 304L)	NBR (1629) Graphite PTFE S. S.(1.4307)
27	Lower bushing guide	S.S. (AISI 304L)	S. S.(1.4307)
28	Seal	NBR (D-1418) Graphite PTFE	NBR (1629) Graphite PTFE
29	Screw	S.S. (AISI 304)	S.S. (1.1191)
30	Guide seal	S.S. (AISI 304L)	S. S.(1.4307)
31	Support seal	S.S. (AISI 304)	S.S. (1.1191)
41	Stem	S.S. (AISI 316L)	S.S. (1.4404)
42	O-ring	NBR (D-1418) FKM (200°C)	NBR (1629) FKM (200°C)
43	Washer spring	PTFE (D-792)	PTFE (53749)
44	Screw	S.S. (AISI 304)	S.S. (1.1191)

Recommended spare parts



STANDARD CONFIGURATIONS

DN [mm]	15	20	25	32	40	50	65	80	100
Kv [m3/h]	3.5	5	9	13.5	22	32	57	82	115

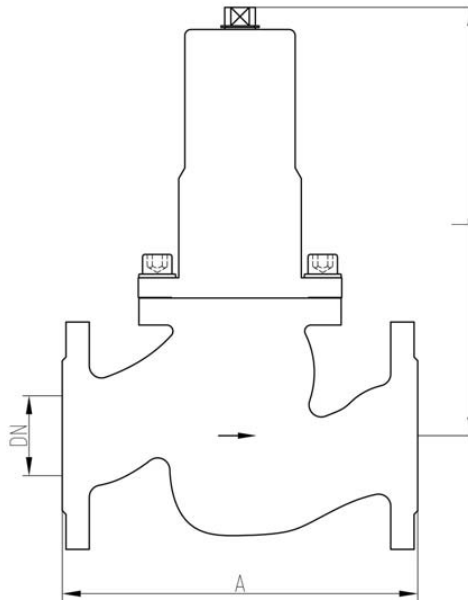
NPS [inch]	1/2"	3/4"	1"	1 1/2"	1 3/4"	2"	2 1/2"	3"	4"
Cv [gpm]	4	5.8	10.4	15.6	25	37	66	94.8	

DIN A [mm]	130	150	160	180	200	230	290	310	350
-------------------	-----	-----	-----	-----	-----	-----	-----	-----	-----

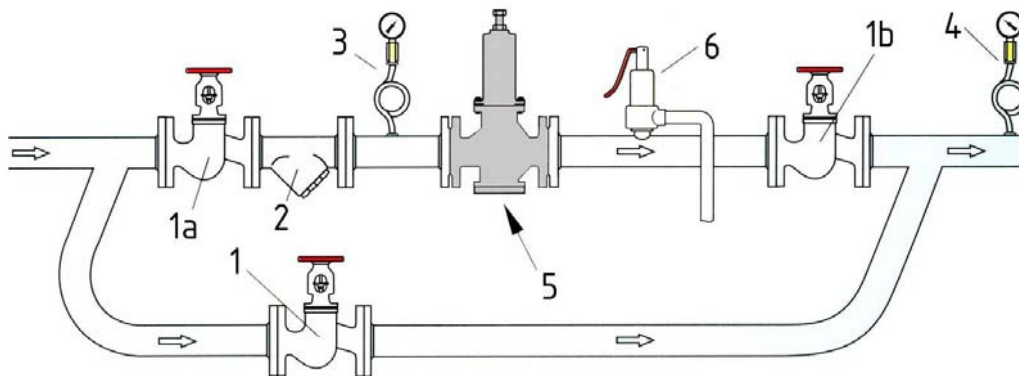
ANSI150 A [mm]	-	-	184	-	222	254	-	298.5	352.5
A [inches]	-	-	7.25"	-	8.75"	10"	-	11.75"	13.88"

ANSI300 A [mm]	-	-	197	-	235	267	-	317.5	368
A [inches]	-	-	7.76"	-	9.25"	10.51"	-	12.50"	14.49"

L [mm]	240	240	250	250	300	300	415		490
Weight [Kg]	18	20	22	25	28	32	48	52	60



STANDARD INSTALLATION



RECOMMENDED INSTALLATION

- | | |
|-----|-------------------------|
| 1. | Check Valve |
| 1a. | Check Valve |
| 1b. | Check valve |
| 2. | Filter |
| 3. | Inlet pressure gauge |
| 4. | Outlet pressure gauge |
| 5. | Pressure reducing valve |
| 6. | Safety valve |



ATEX approved

Disclaimer

The information, specifications and technical data contained in this catalogue are subject to change without notice by the manufacturer. The user should verify all technical data and specifications prior to use. EFSVALVES does not warrant that the material and information contained herein is current or correct and assumes no responsibility for the use or misuse of any such material and information by the user.